



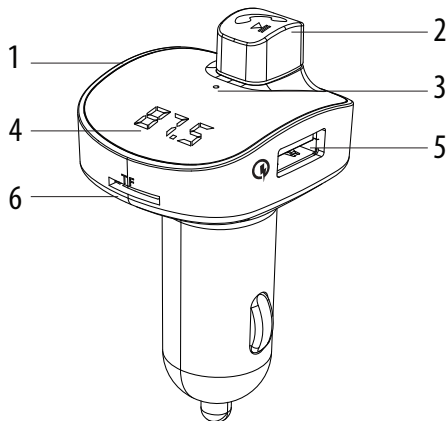
# BLUETOOTH<sup>®</sup> FM TRANSMITTER DUAL PORT CAR CHARGER



ENGLISH

# MANUAL (ENGLISH)

## Bluetooth® FM Transmitter



## Introduction

This device is a Bluetooth MP3 player developed for cars. It transmits calls or music directly from your Bluetooth device to your car's FM radio. It supports micro SD/TF card/flash drive/ Udisk and plays MP3 format music. Fast charge your USB devices.

## Features

- Wirelessly stream audio from your Bluetooth device
- Echo cancellation and noise suppression (CVC) technology
- Large LED display for easy viewing
- Rapid charging dual USB ports
- Supports flash drive/TF card to play music
- Answer/End/Reject/Redial/Volume Adjust/Next-Previous Track all controlled by one MFB (Multi-Function Button)
- A2DP (Advanced Audio Distribution Profile) Full duplex stereo, echo and noise cancellation

## Instructions

1. Plug the FM transmitter into your vehicle's cigarette lighter or power port.
2. The battery's voltage will display on the LCD screen automatically after the power is on.
3. Tune your car radio to an unused FM frequency and then match the same frequency to the FM Transmitter.

## Bluetooth Functions/Guide

- Activate your mobile phone's bluetooth function and select the device named "XHF9-1010"
- When there is an incoming call when in music playing mode, the unit will automatically change to telephone mode.
- Press the Multi-Function Button to answer an incoming call
- Press the Multi-Function Button to end call
- Press Multi-Function Button twice for last number redial
- Long press the multi-function to reject call

NOTE: Bluetooth does have an LED pairing light and will remember previously connected device. Turn Multi-function button left to turn volume up, turn right to turn volume down (device volume control)

### Set Frequency

Long press the "M" button 2 seconds. Rotate the Multi-Function Button clockwise or counter clockwise to select channel

### Choose Music

- Rotate Multi-Function Button clockwise and counter clockwise to select next or previous track
- Long press the Multi-Function Button to select the music from the three data options

## FCC Compliance

This device complies with Part 15 of the FCC. Operation is subject to the following two conditions: (1) this device may not cause harmful interference, and (2) this device must accept any interference received, including interference that may cause undesired operation. Changes or modifications not expressly approved by the party responsible for compliance could void the user's authority to operate the equipment. This equipment has been tested and found to comply with the limits for a Class B digital device, pursuant to part 15 of the FCC Rules. These limits are designed to provide reasonable protection against harmful interference in a residential installation. This equipment generates uses and can radiate radio frequency energy and, if not installed and used in accordance with the instructions, may cause harmful interference to radio communications. However, there is no guarantee that interference will not occur in a particular installation. If this equipment does cause harmful interference to radio or television reception, which can be determined by turning the equipment off and on, the user is encouraged to try to correct the interference by one or more of the following measures:

- Reorient or relocate the receiving antenna.
- Increase the separation between the equipment and receiver.
- Connect the equipment into an outlet on a circuit different from that to which the receiver is connected.
- Consult the dealer or an experienced radio/TV technician for help.

## RF Exposure Statement

To satisfy FCC's RF exposure requirements, a separation distance of 20 cm or more should be maintained between the antenna of this device and persons during device operation. To ensure compliance, operations at closer than this distance is not recommended.



## **ONE YEAR WARRANTY**

Xtreme warrants its products for ONE YEAR against defects in manufacturing under regular consumer use with original receipt of retail purchase.

We believe in our products and want to provide you with a replacement if needed, only in which the product is still under warranty. If you discover a defect covered by this warranty, please contact us about receiving a replacement.

*\*Any customers outside of the U.S. will be responsible for shipping and handling charges if a replacement is required that is not due to a manufacturing defect. If there is not a manufacturing defect, shipping and handling will be applied.*

**Xtreme's warranty is limited to our products only. Our warranty does not cover the replacement or repair cost of any third-party accessory, electronic device or personal property.**

For more details on what is not covered under warranty, please go to [www.xtremecables.com/oneyearwarranty.aspx](http://www.xtremecables.com/oneyearwarranty.aspx)

For instructions about how to obtain warranty service for your product, please contact Customer Service at **[customerservice@xtremecables.com](mailto:customerservice@xtremecables.com)**

### **Package Contents:**

Bluetooth FM Transmitter

Manual

## Important Safety Information

Please read and understand all instructions before using this product. If damage is caused by failure to follow the instructions, the warranty does not apply.

- Do not drop, puncture or disassemble this product.
- Avoid long exposure to direct sunlight, which may cause damage.
- Exposing this product to open flames may cause explosion.
- Do not use the product in strong magnetic field.
- Use clean, soft cloth to clean. Do not use any corrosive cleaner/oil to clean.
- Keep your attention on the road. Do not operate the controls of this product while driving.

### SPECIFICATIONS:

Input: DC12V~24V

Output Total: 3.1 AMP

Working Current: 50~100 mAh

Effective Range: 5 Meters

FM Frequency: 87.5~108.0 mHz